



GiG 15 PRO



Automatic Cocktails Station
Mixology reinvented

GiG Pro

YOUR BAR'S SECRET WEAPON

Cocktail making has become an art form, with professional **Mixologists** often likening the process to a kind of alchemist. **GiG** is your bar's secret weapon, making sure you get that unique blend of magic every time.

GiG Pro is an automatic measuring system that works with an **integrated tablet** featuring more than 75 cocktail recipes pre-programmed and ready to follow and the ability to add your own custom cocktails. The embedded technology paired with the user friendly interface allows you to dispense the **exact quantity of ingredient** needed for each recipe, with just the touch of a button.



How it works EVERYTHING EASY

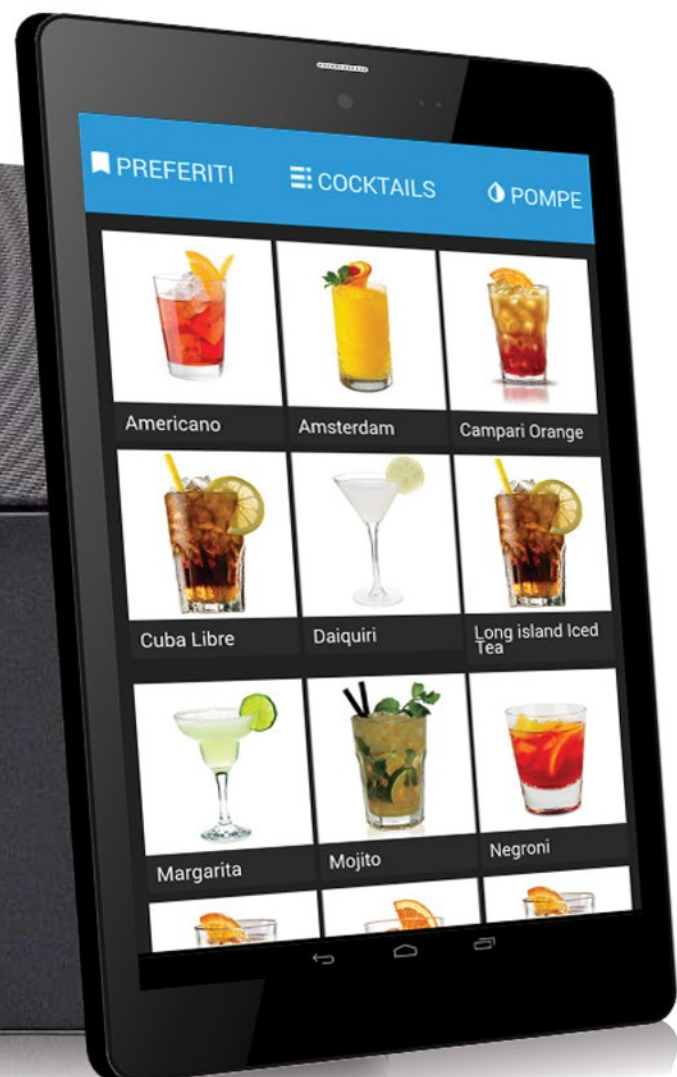
Program in your recipe and every single cocktail will **taste exactly** like the first inspired, **Eureka-moment cocktail**.

Cocktails can also be dispensed into a shaker, so bar staff can still show off their air skills and **entertain the crowd**.

With **GiG Pro** you can connect up to 15 liquors, juices or syrups through completely separate lines, making for a flawless, **easy process**.

THE RESULT?

Impeccable cocktails, mocktails and juices **without a drop wasted**.





Go mobile YOUR BAR ANYWHERE

From special events to poolside bars, take advantage of the versatility of the **mobile GiG**. Featuring locking doors, insulated ice bin, oversized casters and constructed with water/weather resistant materials, this **portable bar** is the ideal plug-and-play solution for hotels and country clubs.



Easy to Use READY IN MINUTES

Beautifully designed in Italy, **GiG** is an automatic jigger that sits easily on any bar counter, creating an instant **cocktail station**. Just place it on the bar counter, hook it up and it's **ready to go**. No need for structural installations, it integrates seamlessly into any kind of Bar.



Keep track YOU'RE IN CONTROL

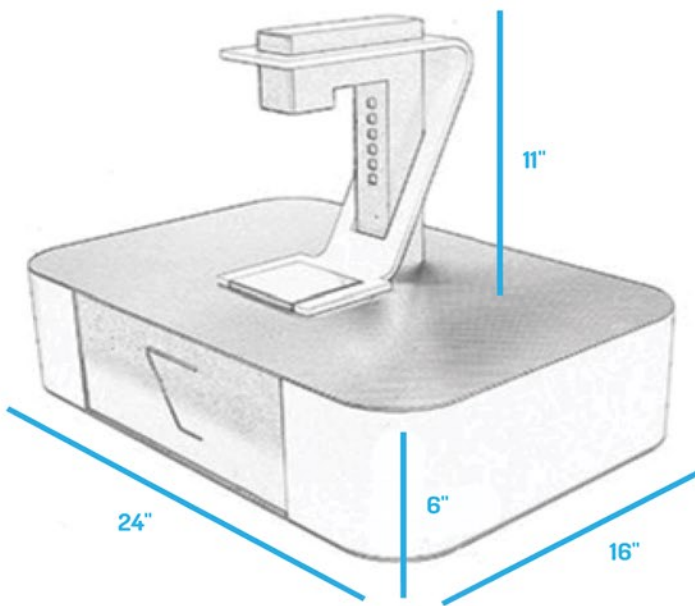
GiG Pro will automatically record and measure usage, so you can keep track of the amount and type of cocktails served each day and the **ingredients used**. Converted into easy-to-read statistics, these stats are all stored on the cloud and **easily accessible online**.

Eliminate Waste

SAVE UP TO 20%

Choose a cocktail, press a button and the mix is done; it takes on average **5 seconds** to prepare a cocktail with different ingredients.

Thanks to **GiG Pro** you work faster and finally get rid of unwanted overpouring, you save up to 20% on the cost of ingredients providing you with very quick return on investment.



Installation

EASIER THAN EVER

Place the bottles in a **convenient place** near the machine, can be under or over it, connect them with the provided hoses and your **Cocktail Station** is ready. An **alert message** will notify you when each bottle is running low.

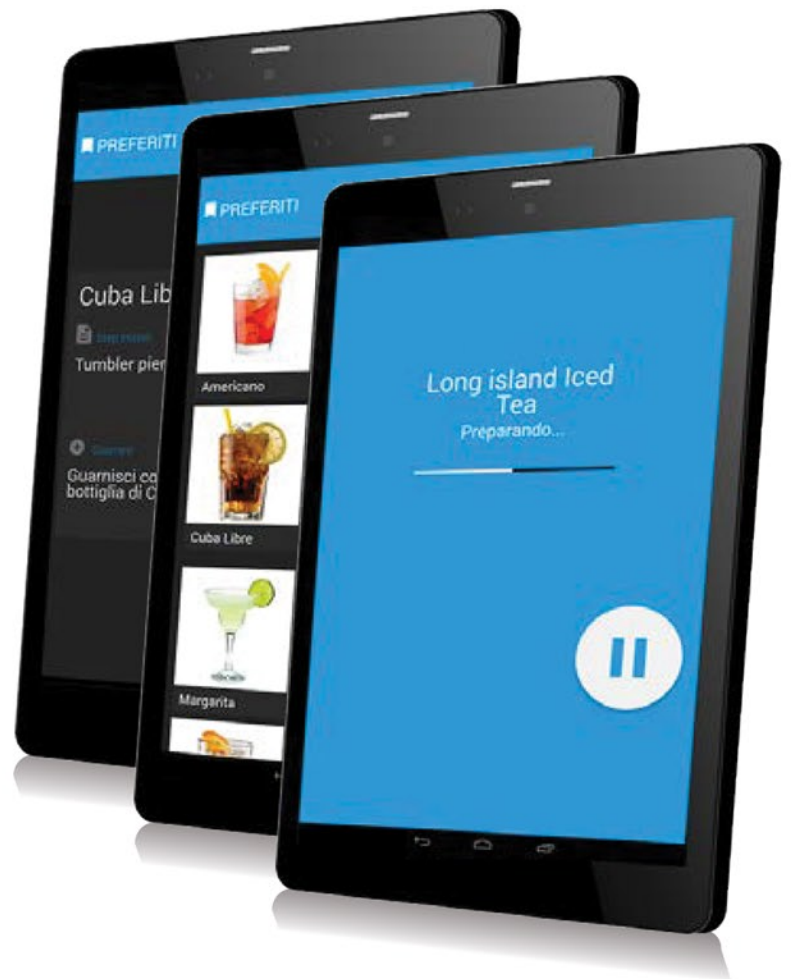
App

EVERYTHING YOU NEED

In the app you'll find **detailed recipes** outlining how to prepare the best international cocktails.

You can edit these or **add your own** twist to a classic.

Each recipe has a **step-by-step** guide, detailing the glass to use, the amount of ice needed and even the right garnish to add that **finishing touch**.





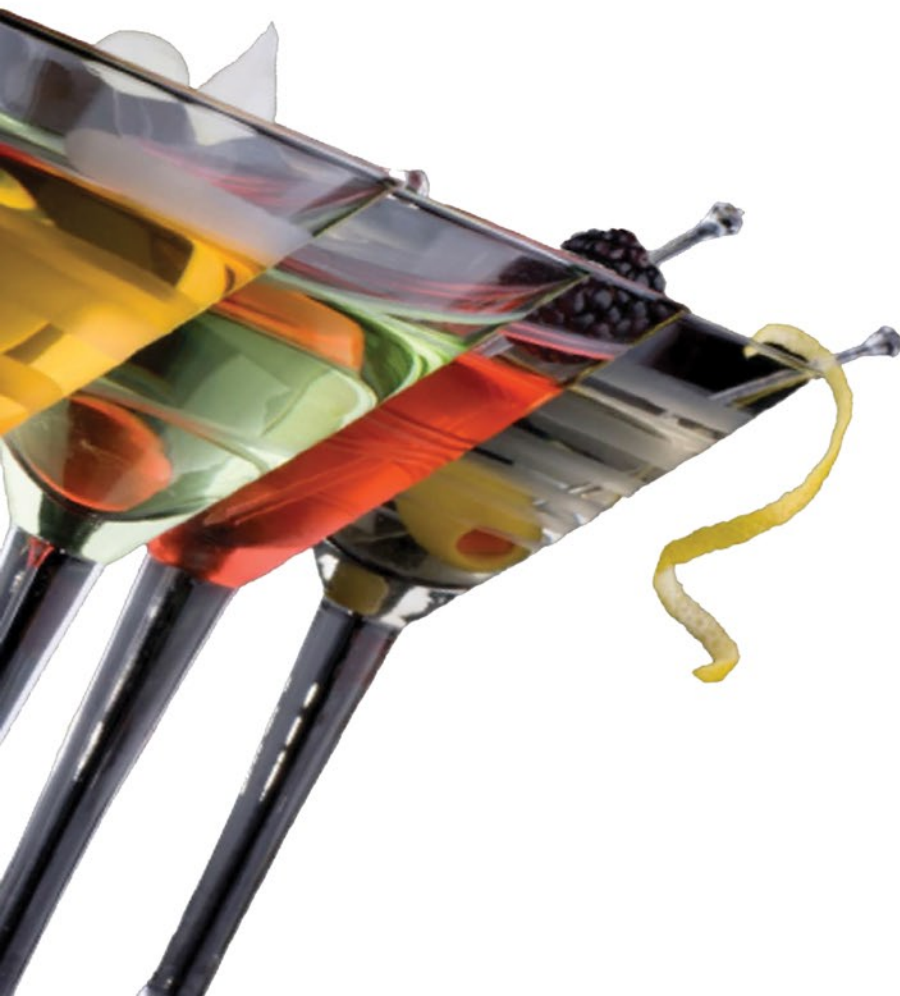
Distributed by

Neodistributing LLC

5555 Oakbrook Pkwy, #120 Norcross, GA 30093

sales@cocktailsmachine.us

844-MIX-4400



PRODUCT MADE IN ITALY
Patented and Certified