

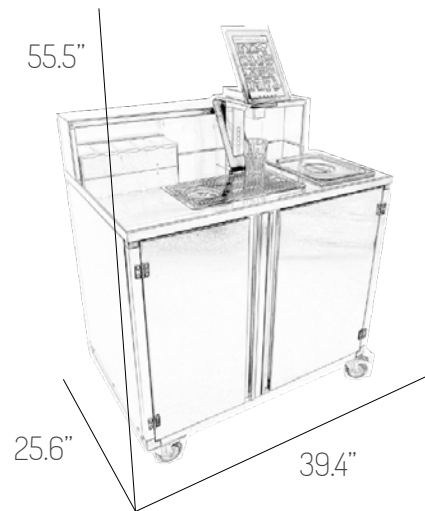


GiG Station



GiG Station is the latest addition to Cocktails Machine product line. It offers the perfect mobile, semi-permanent or permanent solution for complete server station, outdoor spaces, poolside, events, lounges and more. Wheels provide easy maneuverability over all floor coverings. Aluminum frame and brushed steel panels, 4x articulated wheels with brakes, making the Station light and easy to handle. Includes:

- 1x GiG Station
- 1x Glass Rinser
- 1x Ice Chest
- 5x Garnish Trays
- 1x Large Drip Tray
- 1x 10" Android Tablet
- 1x Tablet Holder
- Food Grade Silicone Tube
- Bottle Adapters



Dimensions (WxDxH)	39.4 x 25.6 x 55.5in.
Net Weight	110 lbs.
Voltage	12V
Max. Absorbed Power:	75W
Power:	110/220V 50-60hz
Power Cord:	US
Item number	CMSTATION15



Glass rinser + large drip tray



Ice chest (3 gal)